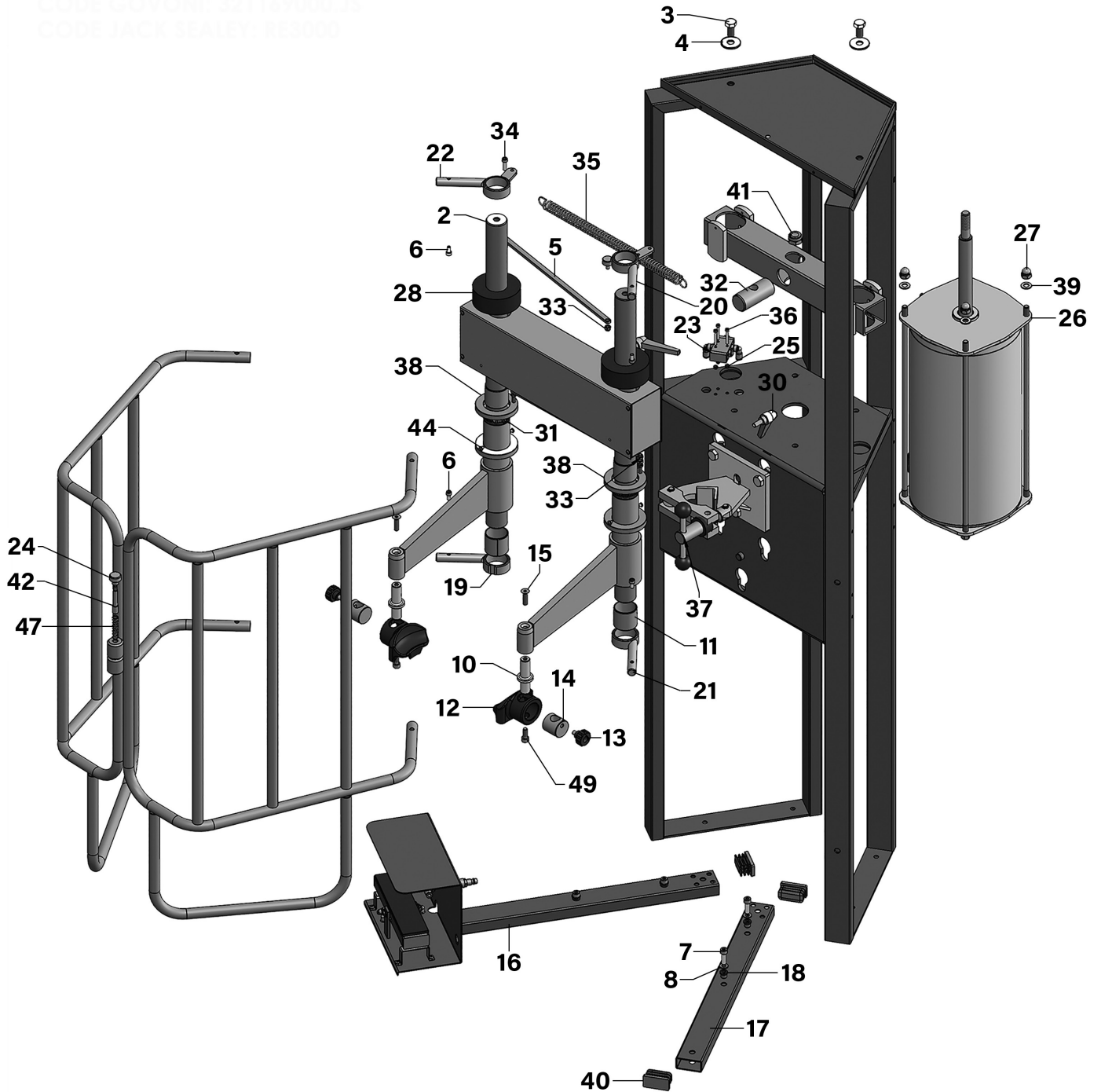




Parts Information:
Air Operated Coil Spring Compressor
3000kg
Model No: RE3000

CODE GOVONI: 27147813
 CODE JACK SEALEY: RE3000



Item	Part No.	Description	Qty
2	RE3000-02	Shock Absorber	2
3	SS1235.S	Hex Head Set Screw M12 X 35 Zinc	2
4	FWM12.S	Flat Washer M12 Zinc	2
5	RE3000-05	Connection Rod for Protection Guard	2
6	SCB612.SB	Socket Cap Bolt M6 x 12mm Black	4

Item	Part No.	Description	Qty
7	SCB825.SB	Socket Cap Bolt M8 x 25mm Black	2
8	FWM8.S	Flat Washer M8 Zinc	2
10	RE3000-10	Pin for Arm Clamp	2
11	RE3000-11	Bushing	4
12	RE3000-12	Moveable Clamp	2

NOTE: It is our policy to continually improve products and as such we reserve the right to alter data, specifications and component parts without prior notice. There may be alternative versions of this product, please contact us should you require this information.

IMPORTANT: No liability is accepted for incorrect use of product. Spare parts must be fitted by a competent person

WARRANTY: Guarantee is 12 months from purchase date, proof of which will be required for any claim.

Sealey Group, Kempson Way, Suffolk Business Park, Bury St Edmunds, Suffolk. IP32 7AR



01284 757500



sales@sealey.co.uk



www.sealey.co.uk



Parts Information:
Air Operated Coil Spring Compressor
3000kg
Model No: RE3000

Item	Part No.	Description	Qty
13	RE3000-13	Adjustment Knob M8 x 10	2
14	RE3000-14	Support for Moveable Clamp	2
15	MSC835.SB	Csk Phillips Machine Screw M8 X 35 Black	2
16	RE3000-16	Complete Foot for Spring Compressor	1
17	RE3000-17	Foot	1
18	RE3000-18	Thread Insert M8	2
19	RE3000-19	Joint c/w Valve Plate	1
20	RE3000-20	Joint for Protection	1
21	RE3000-21	Lower Joint for Right Protection	1
22	RE3000-22	Joint for Protection	1
23	RE3000-23	Mounted Ball Valve	1
24	RE3000-24	Knob for Protection Guard	1
25	NLN4.S	Nyloc Nut M4 Zinc	3
26	RE3000-26	Cylinder Assembly	1
27	SN10.SD	Steel Nut M10 Domed	4
28	RE3000-28	Foam Pad Ø90mm	2
30	RE3000-30	Locking Handle	2

Item	Part No.	Description	Qty
31	RE3000-31	Retaining Ring 48mm	2
32	RE3000-32	Pin 80mmL	1
33	NLN6.SB	Nyloc Nut M6 Black	4
34	SCB620.SB	Socket Cap Bolt M6 x 20mm Black	1
35	RE3000-35	Spring 160mmL	1
36	RE3000-36	Socket Cap Bolt M4 x 30	3
37	RE3000-37	Locking Clamp	1
38	RE3000-38	Complete Washer Kit (c/w Screw & Nut	2
39	FWM10.S	Flat Washer M10 Zinc	4
40	RE3000-40	End Plug	3
41	NLN16.S	Nyloc Nut M16 Zinc	1
42	RE3000-42	Locking Pin For Protective Guard	1
44	MSC410.S	Csk Phillips Machine Screw M4 X 10 Zinc	4
47	RE3000-47	Spring 45.5mm	1
49	SCB825.SB	Socket Cap Bolt M8 x 25mm Black	2

NOTE: It is our policy to continually improve products and as such we reserve the right to alter data, specifications and component parts without prior notice. There may be alternative versions of this product, please contact us should you require this information.

IMPORTANT: No liability is accepted for incorrect use of product. Spare parts must be fitted by a competent person

WARRANTY: Guarantee is 12 months from purchase date, proof of which will be required for any claim.

Sealey Group, Kempson Way, Suffolk Business Park, Bury St Edmunds, Suffolk. IP32 7AR



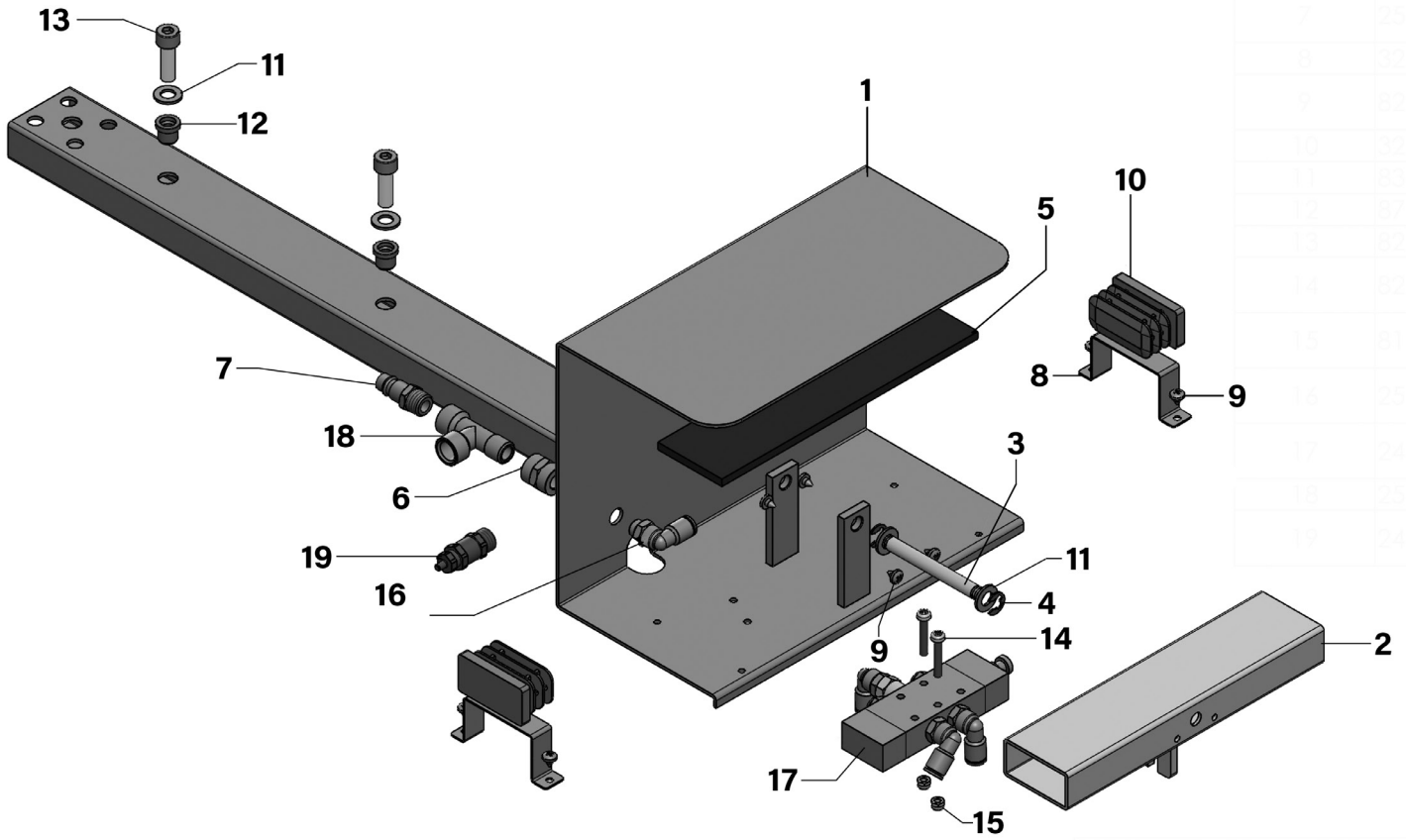
01284 757500



sales@sealey.co.uk



www.sealey.co.uk



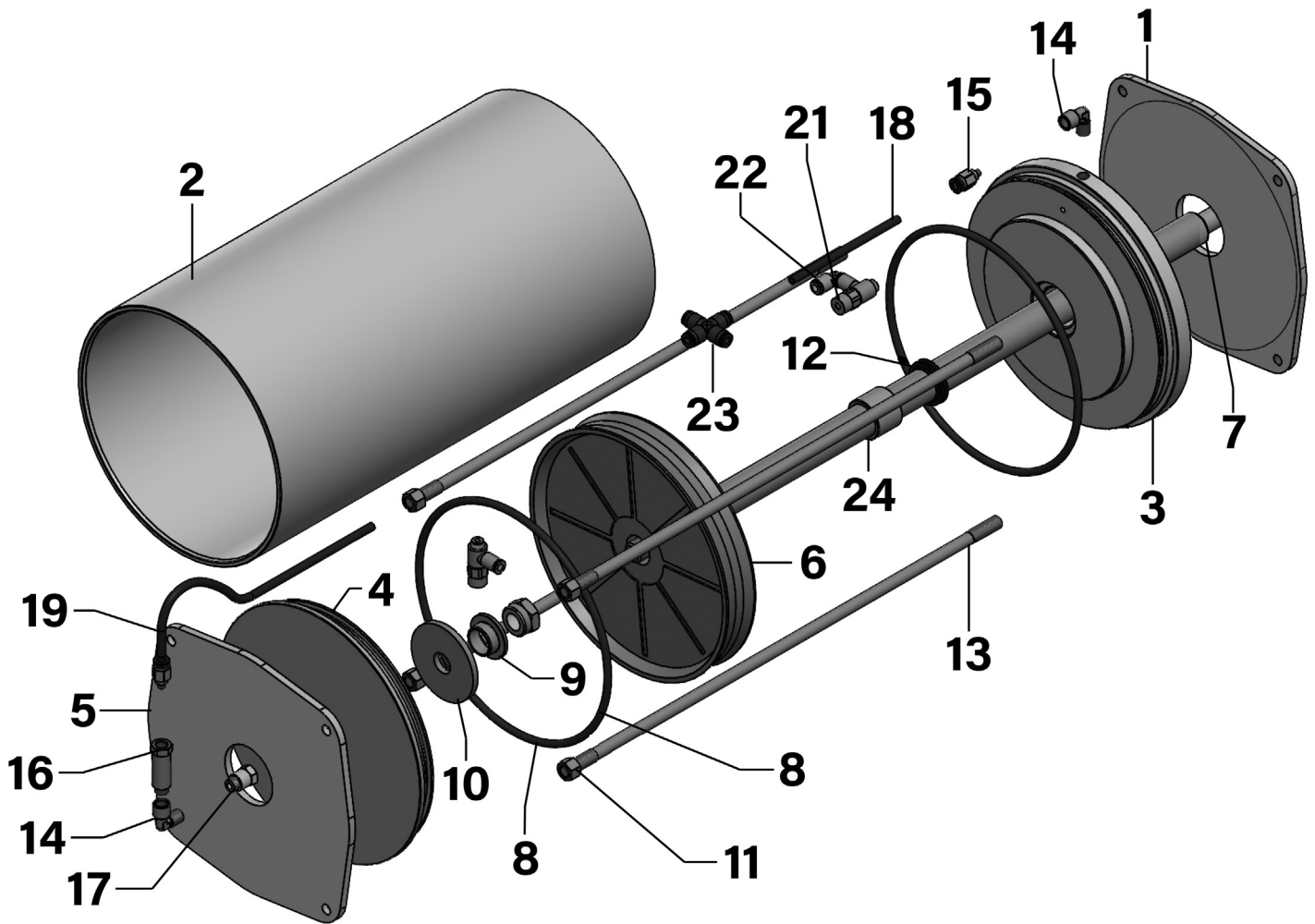
Item	Part No.	Description	Qty
1	RE3000-F01	Foot Frame	1
2	RE3000-F02	Foot	1
3	RE3000-F03	Pin for Foot	1
4	RE3000-F04	E-Ring Ø7mm	2
5	RE3000-F05	Foam Pad 5x50mm	1
6	RE3000-F06	Reduction Sleeve	1
7	RE3000-F07	Quick Air Coupling	1
8	RE3000-F08	Pedal Bracket	2
9	MSP48,S	Machine Screw Pan Head Phillips M4 X 8 mm	8
10	RE3000-F10	End Plug	2

Item	Part No.	Description	Qty
11	FWM12,S	Flat Washer M12 Zinc	4
12	RE3000-F12	Thread Insert M8	2
13	SCB825.SB	Socket Cap Bolt M8 x 25mm Black	2
14	SCB425.SB	Socket Cap Bolt M4 x 25mm Black	2
15	NLN4,S	Nyloc Nut M4 Zinc	2
16	RE3000-F16	Elbow	1
17	RE3000-F17	Complete Valve	1
18	RE3000-F18	Connector (T-Shape)	1
19	RE3000-F19	Pressure Valve 10bar 1/4"	1

NOTE: It is our policy to continually improve products and as such we reserve the right to alter data, specifications and component parts without prior notice. There may be alternative versions of this product, please contact us should you require this information.

IMPORTANT: No liability is accepted for incorrect use of product. Spare parts must be fitted by a competent person

WARRANTY: Guarantee is 12 months from purchase date, proof of which will be required for any claim.



Item	Part No.	Description	Qty
1	RE3000-CA01	Plate for Upper Head	1
2	RE3000-CA02	Aluminium Cylinder	1
3	RE3000-CA03	Front Head	1
4	RE3000-CA04	Rear Head	1
5	RE3000-CA05	Cylinder Head Plate	1
6	RE3000-CA06	Cylinder	1
7	RE3000-CA07	Cylinder Pin D.25 x 640	1
8	RE3000-CA08	O-Ring 5.34 x 189.87	2
9	RE3000-CA09	Bushing	1
10	RE3000-CA10	Washer	1
11	SN10.S	Steel Nut M10 Zinc	4
12	RE3000-CA12	Seal	1

Item	Part No.	Description	Qty
13	RE3000-CA13	Connecting Rod 10 x 449mm	4
14	RE3000-CA14	Elbow Connection	2
15	RE3000-CA15	Straight Quick Coupling (Thread M5)	2
16	RE3000-CA16	Extension 1/8" L=42	1
17	RE3000-CA17	Extension 1/8" L=22	1
18	RE3000-CA18	Inlet Tube Ø6 x 4	1
19	RE3000-CA19	Inlet Tube Ø6 x 4	1
21	RE3000-CA21	Block 1/8"	2
22	RE3000-CA22	Quick Angle Connector Ø6	1
23	RE3000-CA23	Cross Connector	1
24	RE3000-CA24	Bronze Bushing (25 x 32 x 25)	1

NOTE: It is our policy to continually improve products and as such we reserve the right to alter data, specifications and component parts without prior notice. There may be alternative versions of this product, please contact us should you require this information.

IMPORTANT: No liability is accepted for incorrect use of product. Spare parts must be fitted by a competent person

WARRANTY: Guarantee is 12 months from purchase date, proof of which will be required for any claim.